

Downlight Specification

G2SR35L1(E)

— GENIE 2S series



◎ Basic Parameters

- Material: AL1070, spraying surface
- Driver Installation: Remote
- IP grade: IP20/IP54 optional
- CCT: 2700K,3000K,3500K,4000K optional
- CRI: 90
- SDCM(Light source): <3 Step (ANSI)
- Beam angle: 15°/24°/36° optional
- UGR(X=4H,Y=8H): ≤13(15°/24°), ≤19(36°)
- Lighting direction: Downward
- Dimming method: Non-Dimming
- Input voltage: AC220-240V
- Working temperature: -15°C~30°C
- Application: Indoor
- Installation: Recessed
- Certification: CE,ROHS,Reach
- Warranty: 5 years

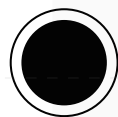


◎ Border Color



White

◎ Reflector type



Matte black



Matte white



Mirror



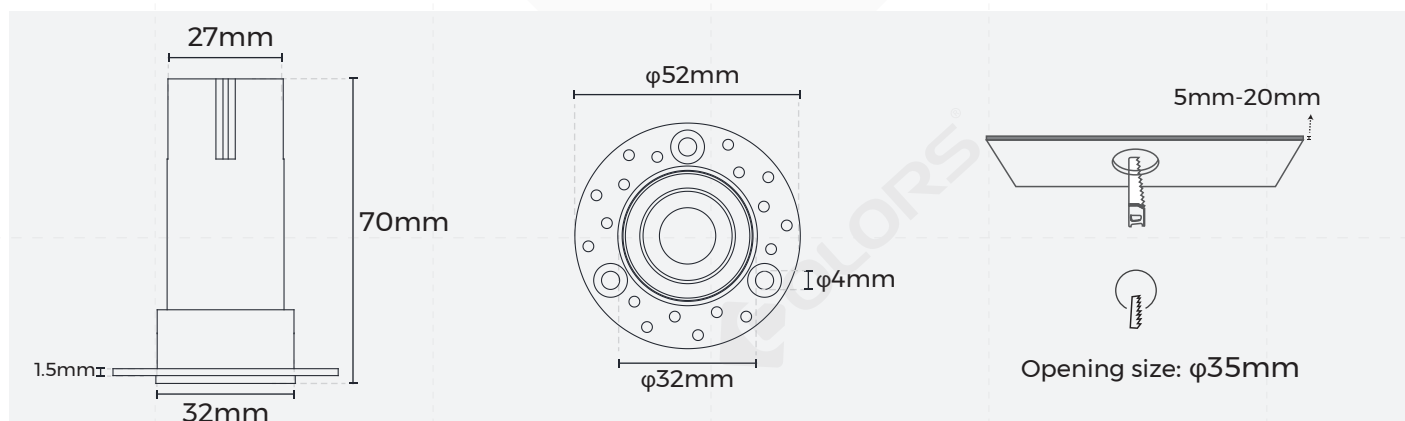
Black chrome

◎ Optical Accessory



Honeycomb

◎ Product mechanical data



◎Luminaire Parameters

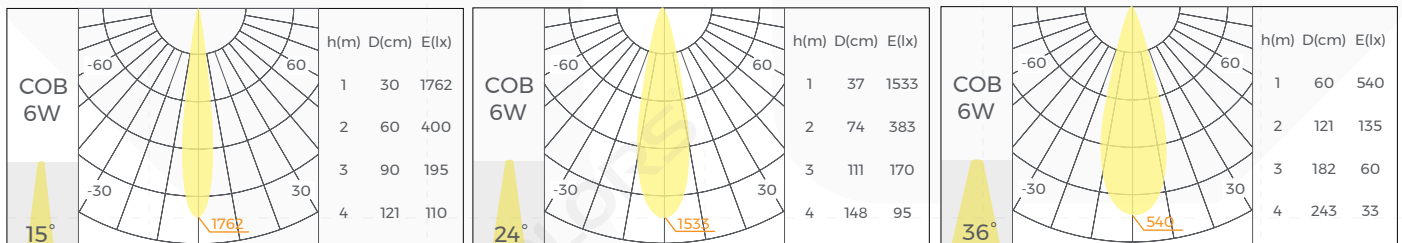
Model	Size (mm)	Opening Size (mm)	Input Voltage (V)	Input Current (A)	Type Power (W)	CRI	Beam Angle	CCT	Lumen (LM)
G2SR35L1(E)	φ52*70	φ35	DC36	0.12	6	>90	15°	2700K	220
								3000K	230
								4000K	250
G2SR35L1(E)	φ52*70	φ35	DC36	0.12	6	>90	24°	2700K	240
								3000K	255
								4000K	275
G2SR35L1(E)	φ52*70	φ35	DC36	0.12	6	>90	36°	2700K	220
								3000K	230
								4000K	250

Note:

- The above parameters were tested based on Ra90, 3000K, light source;
2700K Light efficiency & Luminous flux=3000K*0.95
3500K Light efficiency & Luminous flux=3000K*1.05
4000K Light efficiency & Luminous flux=3000K*1.08
- The input voltage and input current belong to the light source.
- luminous flux is allowed to have a ±10% error range;
- The above parameters are typical values.

◎Optical Parameter

· Type Power:6W



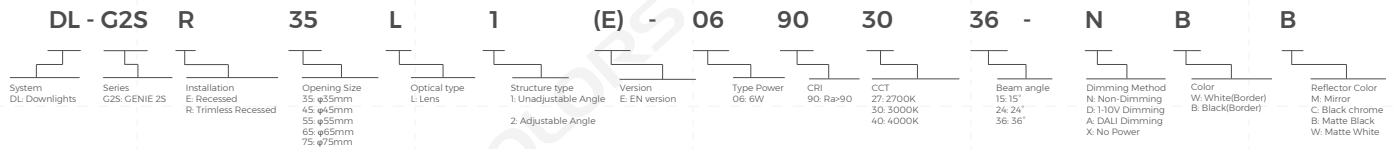
Note:

- Central light intensity value = 1 meter maximum luminous intensity value;
- N meter maximum luminous intensity value = Central light intensity value/N²;
For example: 2 meter maximum luminous intensity value = Central light intensity value/2²;

◎Packing

Model	Size (mm/box)	Quantity /box	Quantity /carton	NW (kg/box)	NW (kg/carton)	CW (kg)	Size (mm/carton)
DL-G2SR35L1(E)-06903036-NBB	120*120*100	1	48	0.15	7.2	9.18	496*496*321

Model Code



Attentions

- 1、 Non-professionals are prohibited from installing, disassembling and repairing the product.
- 2、 Avoid scratching, distortion and irregular bending of the product during installation; otherwise it may cause irreparable damage to the product.
- 3、 Please use professional cutting tools when cutting
- 4、 Do not use any acid or alkaline adhesive to fix products
- 5、 The product is only suitable for indoor dry places, can not be used in outdoor, seaside or wet environment.